

CME-45C



Mounted on the CME-300 Tracked Carrier

Power

Deutz, 187 cubic inch (3.1 L) 59 horsepower air-cooled 3 cylinder diesel engine

Carrier

Track width (standard) 12.6 in. (32 cm)
Average ground bearing pressure 5.2 psi (.366 kgf/cm²)
Track width (optional) 17.7 in. (45 cm)
Average ground bearing pressure 3.7 psi (.260 kgf/cm²)
Suspension triple walking beams
Turning radius in place
Drive hydraulic motor/planetary wheel drives
Steering remote radio controlled guidance
Hydraulic front winch 12,000 lb. (5,443 kg)
Auger & rod racks standard
Tool boxes standard

Gradeability

Straight-ahead climb 50% grade
Side-hill traverse 36% grade

Rotary Drive

Standard:

Rotary torque 3,335 foot pounds (4,522 Nm)
Rotary speed up to 700 rpm max

High torque:

Rotary torque 4,730 foot pounds (6,413 Nm)
Rotary speed up to 490 rpm max

High speed:

Rotary torque 3,060 foot pounds (4,149 Nm)
Rotary speed up to 760 rpm max

Clutch, heavy duty 12 inch (30.5 cm)

Transmission 4 speed forward, 1 speed reverse

Hydraulic Feed System

Retract force 19,600 pounds (8,891 Kg)
Pulldown force 13,650 pounds (6,192 Kg)
Retract rate (max) 55 feet (17 m) per minute
Feed rate (max) 80 feet (24 m) per minute
Stroke 68 inch (173 cm)

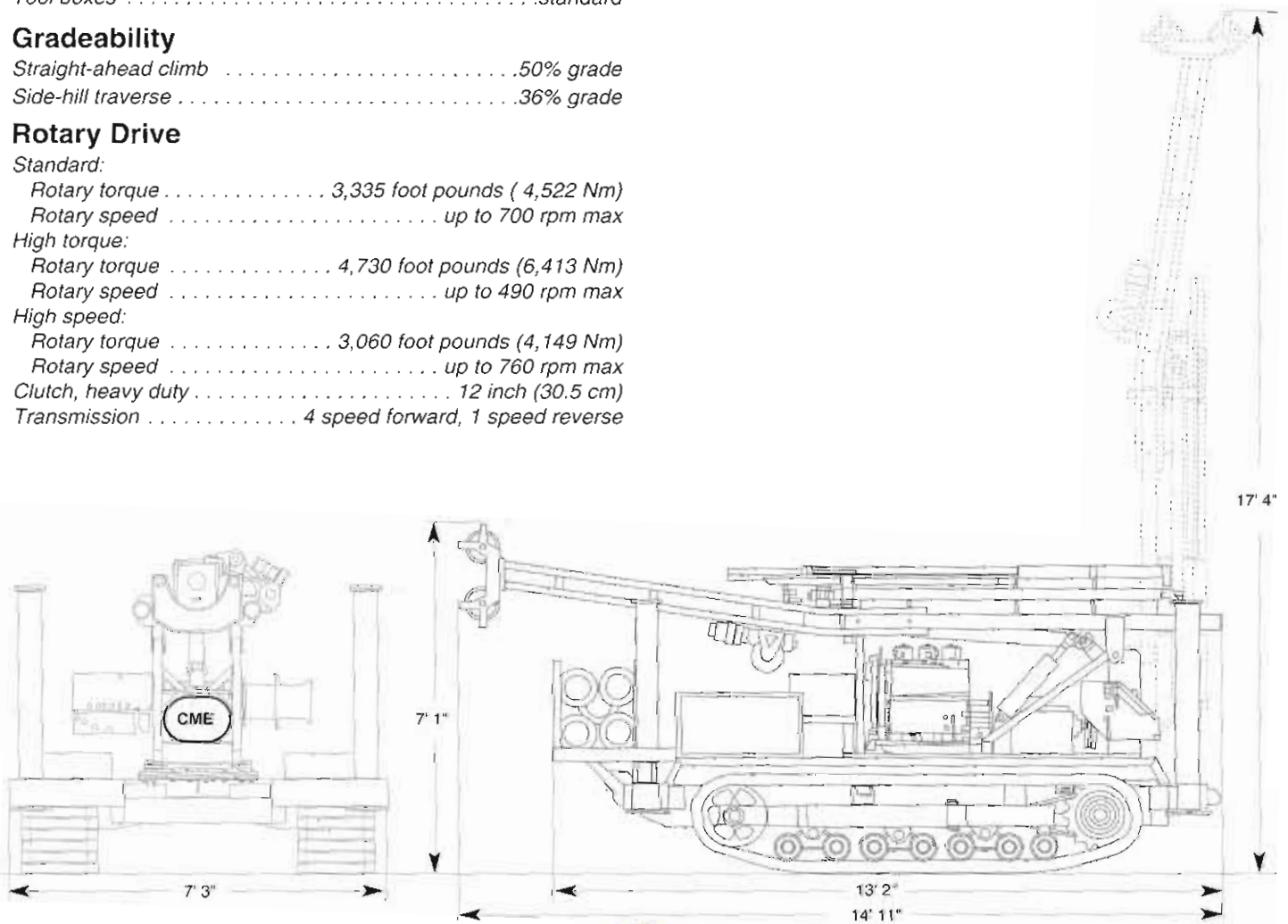
Leveling System

Four jacks, inverted design with chrome-plated piston rods enclosed at all times

Stroke 36 in. (91 cm)

Weight (Approximate)

Without tools 12,000 lbs. (5,443 kg) - 13,200 lbs. (5,988 kg)



CENTRAL MINE EQUIPMENT COMPANY

4215 Rider Trail North, Earth City (St. Louis), Mo. 63045
Phone: 314-291-7700 • 1-800-325-8827 • FAX: 314-291-4880
E-mail: info@cmeco.com • Website: www.cmeco.com

Performance ratings are based on engineering specifications, calculations and accepted industry standards. Capacities may vary according to drilling conditions. CME reserves the right to amend these specifications at any time, without notice.

CME-45C



Mounted on the CME-300 Tracked Carrier

Remote Control...



for Remote locations

The CME-45C just became even more versatile. It's now available mounted on our *new* remote controlled tracked carrier. This machine can climb hills, traverse mud, sand, rocks, and snow...all while your operator's feet are planted firmly on the ground.

Of course the rubber tracks will not damage most pavement, so you can also use this rig anywhere you might use a truck mounted drill.

The beast of burden for this matchup is the new CME-300 tracked carrier. We designed it specifically for carrying drill rigs, so there are no compromises. It has the best center of gravity for both driving and drilling. And you won't find a more rugged carrier in it's class.

Once you get to the site, the CME-45C can give you up to 4,730 foot pounds of torque and 19,600 pounds of retract. It's available with all the features you need to get the job done as efficiently as possible. Like in/out and sideways slide bases, angle drilling, automatic STP hammer, auger racks, tool boxes and more.

